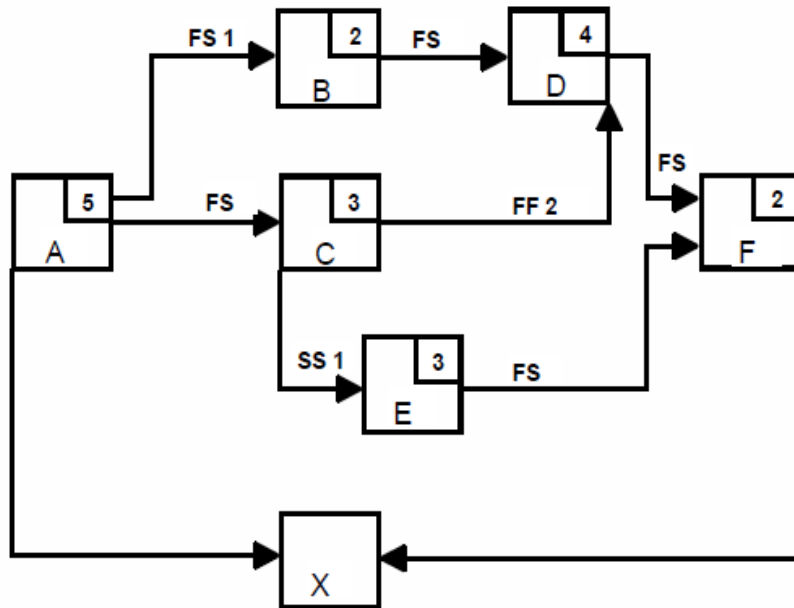
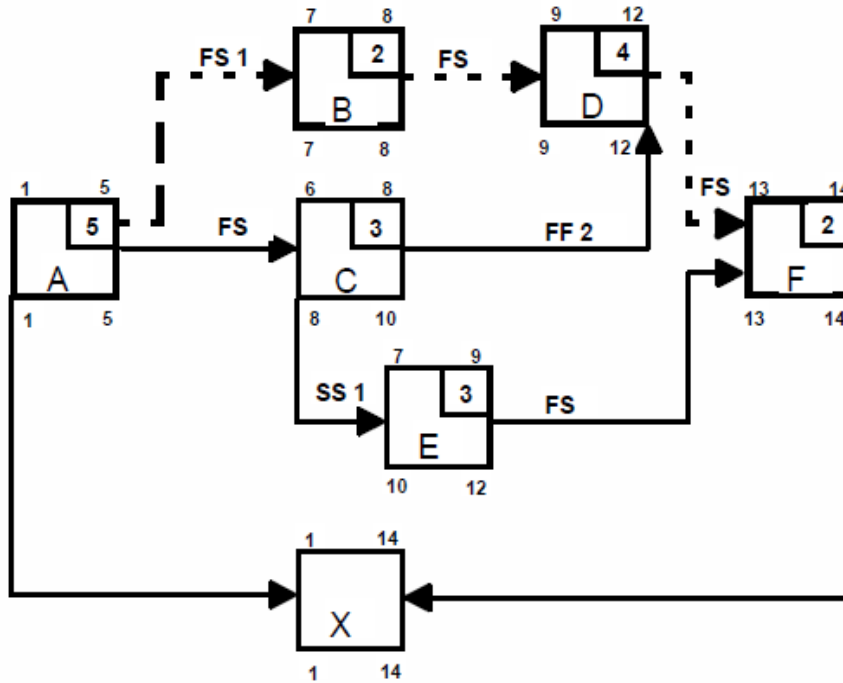


A More Complex Network

Section A: PDM Network Logic Diagram



Section B: Critical Path Calculation and Display



Critical Path is A. B. D. & F