

**“Project Management Using Earned Value”  
Case Study Solution 7.1**



**7.1**

**CASE**

**S**

**T**

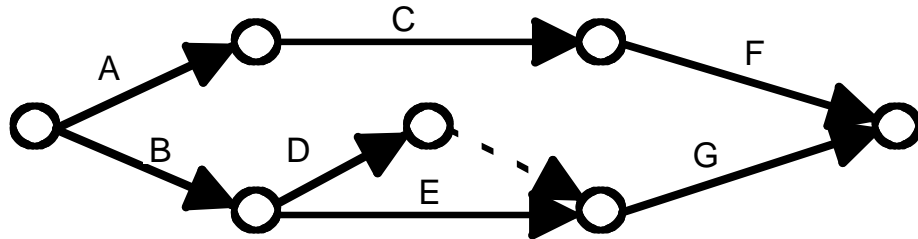
**U**

**D**

**Y**

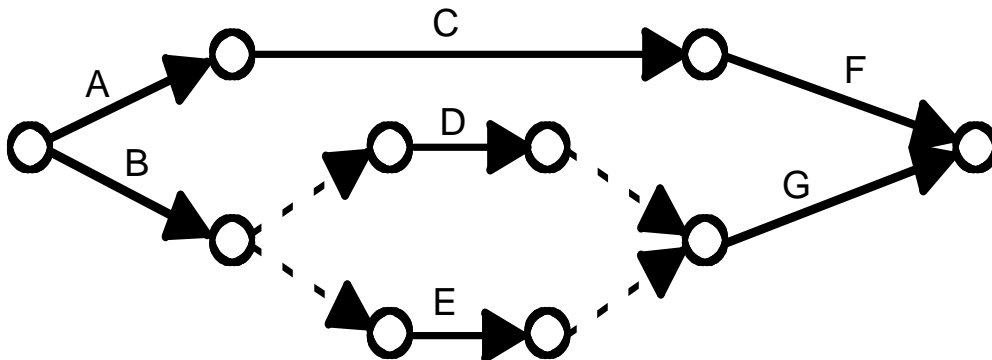
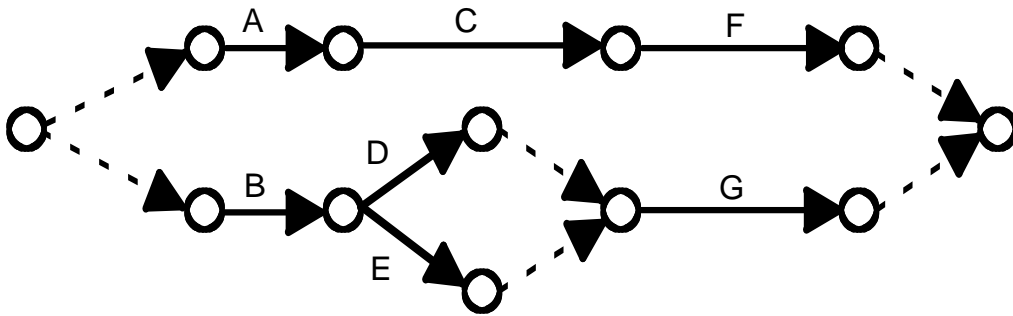
**Constructing An  
ADM Diagram**

### SOLUTION



---

### Alternative Answers



...And many others