

**“Project Management Using Earned Value”
Case Study Solution 9.1**



9.1

CASE

S

T

U

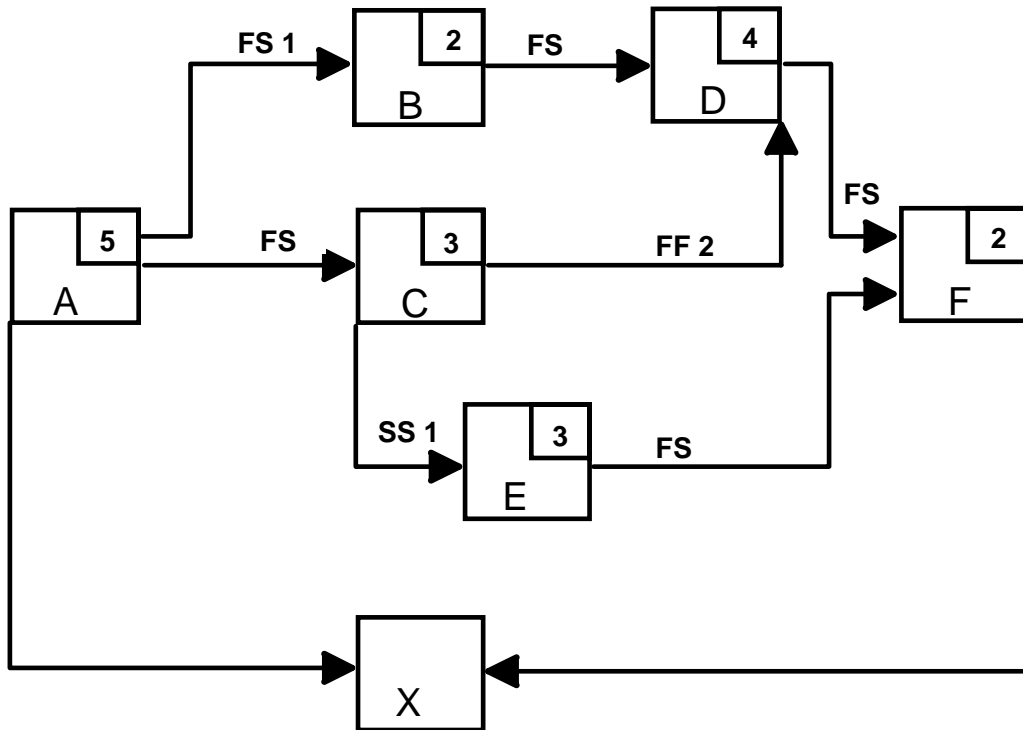
D

Y

**A More Complex
Network**

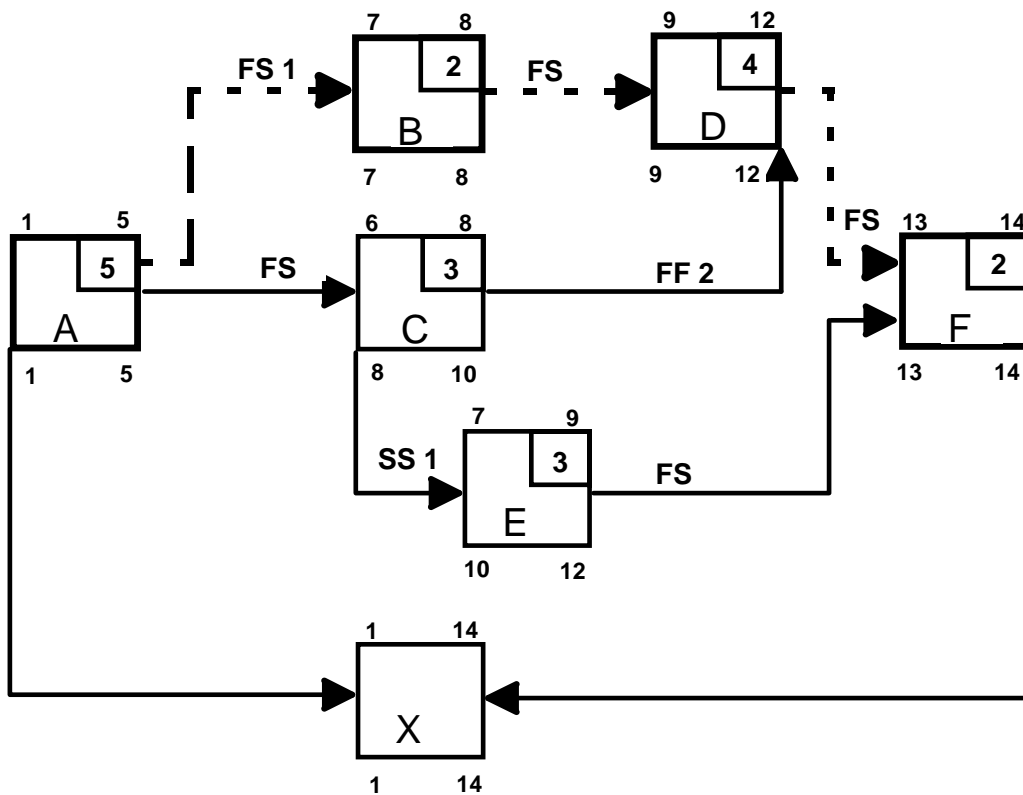
Project Scheduling A More Complex Network

Section A: PDM Network Logic Diagram



Project Scheduling A More Complex Network

Section B: Critical Path Calculation and Display



Critical Path is A. B. D. & F