

“Project Management Using Earned Value”  
Case Study Solution 16.1

16.1

C A S E

S

A More

T

Complex Network

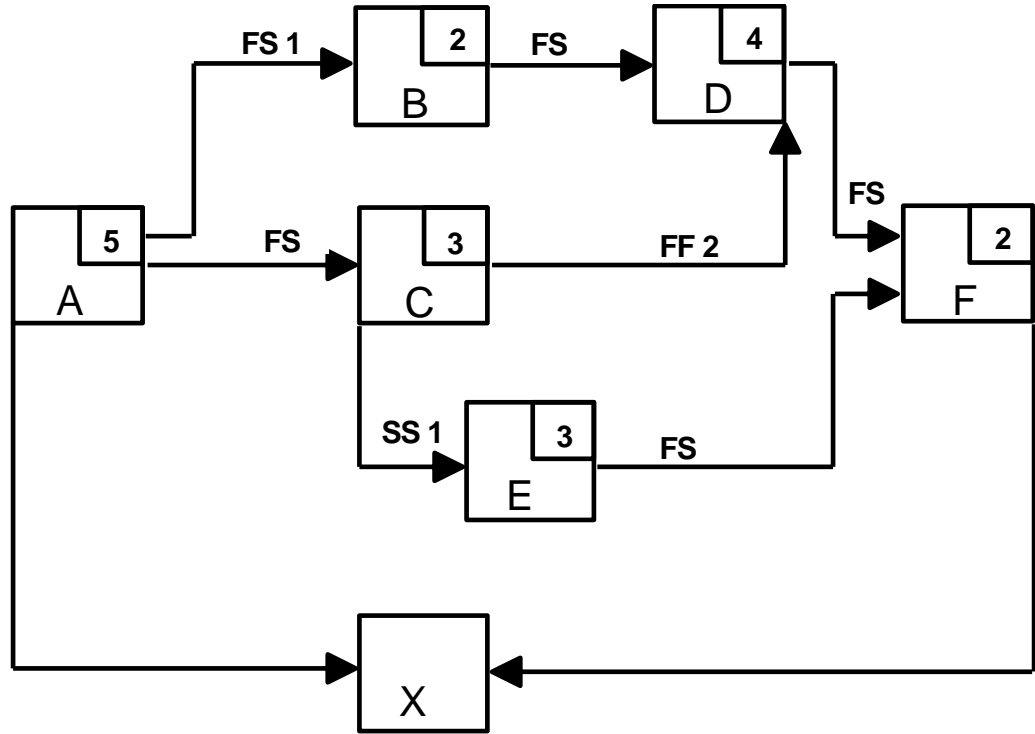
U

D

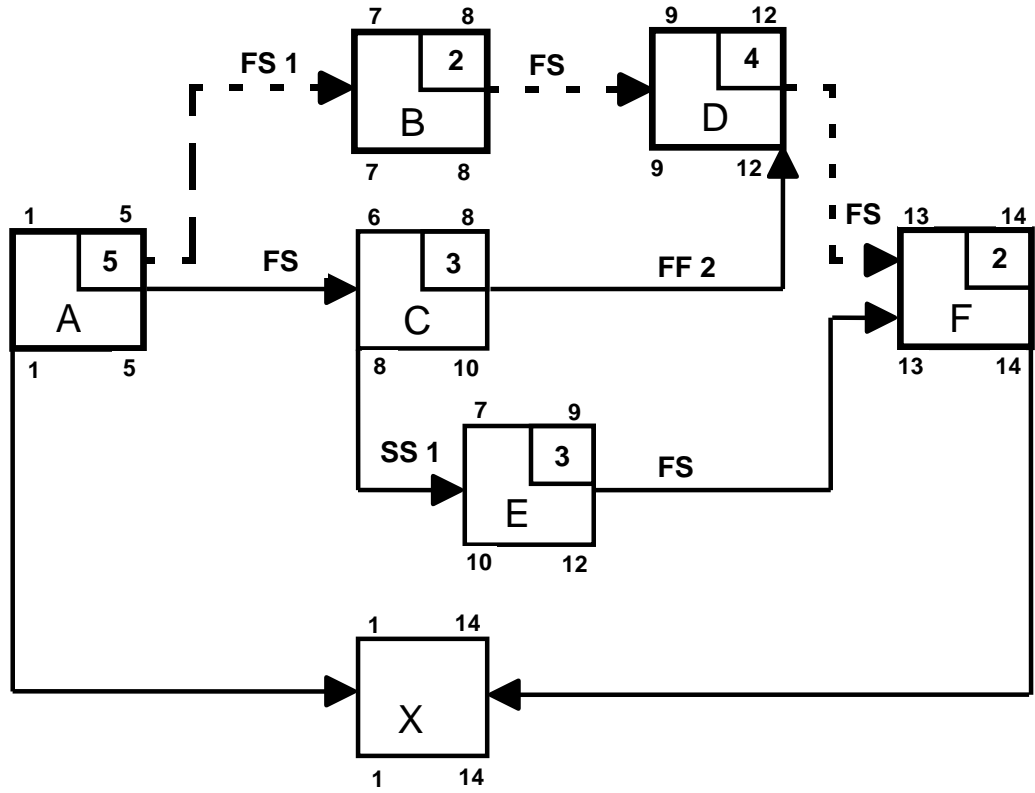
Y

## A More Complex Network

### Section A: PDM Network Logic Diagram



Section B: Critical Path Calculation and Display



Critical Path is A, B, D & F.